



TWO POST BASEPLATE LIFT

Bear BP series baseplate two post lifts are stronger and more convenient to operate than most of the lifts in the world.

30-210FP



Main Features

- ✓ 10,000 lbs capacity, commercial grade 2-post base plate lift is designed and built for any professional shops and home garages to fit low ceiling workshop environment without overhead obstructions
- ✓ Single-point safety release allows the operator to unlock the safety locks from both columns simultaneously. There is also a dual locking system for additional safety.
- ✓ 4 three-stage arms are suitable for more vehicles.
- ✓ Automatic arm restraints keep the arms locked in their proper positions.
- ✓ Self-lubricating UHMW Polyethylene sliders and bronze bush.
- ✓ Aircraft quality cable is used for synchronization.
- ✓ Detachable foot guard and tool tray allow for a clutter free workspace.



Single-point safety release makes it easier for operators to unlock both column locks from one column.



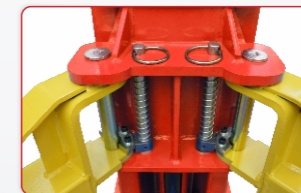
Two locks, one release. Only available from Bear.



Optional saddle adapter. kits No. for light truck:20802 kits No. for heavy-duty truck:21103



The stackable rubber pads package with 1.5", 2.5", 5" extension adapters.

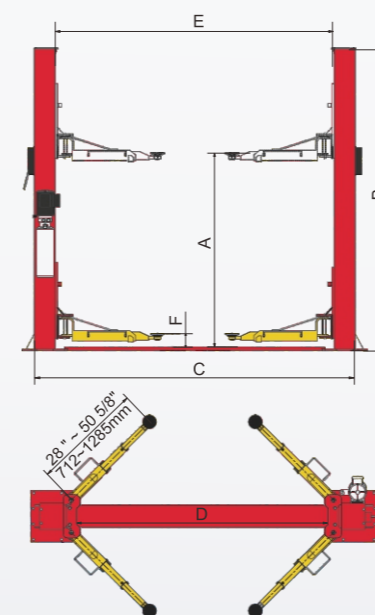


Automatic arms restraints and release.



4 three-stage arms are suitable for more vehicles.

SPECIFICATIONS



Model	30-210FP	
Lifting Capacity	10,000lbs (4500kg)	
Lifting Time	62S	
Lifting Height	A	76 3/8"~85 3/8" (1940~2169mm)
Overall Height	B	111 7/8" (2841mm)
Overall Width	C	139 1/8" (3534mm)
Drive-Thru Clearance	D	100 3/4" (2560mm)
Width Between Columns	E	112 1/4" (2850mm)
Minimum Pad Height	F	3 1/2 (90mm)
Gross Weight	1,697lbs (770kg)	
Motor	2.0HP,220V/60Hz,single phase	